

*HP inkjet in action*

## X1JET Stitch

[www.atip-usa.com](http://www.atip-usa.com)

### Super Compact Inkjet Coder

The X1Jet Stitch is an independently operating print system based on HP technology. Its slim, space-saving profile allows installation of multiple printers in environments where space is severely limited.

The simple and intuitive 3-button operations with LED indicator lamps secure a user-friendly system control. Up to nine layouts can be selected and printed. Optional external photo eye sensor.

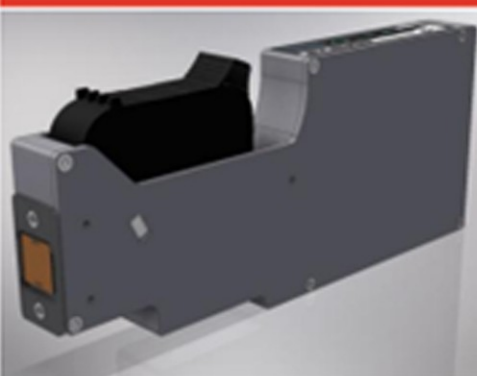
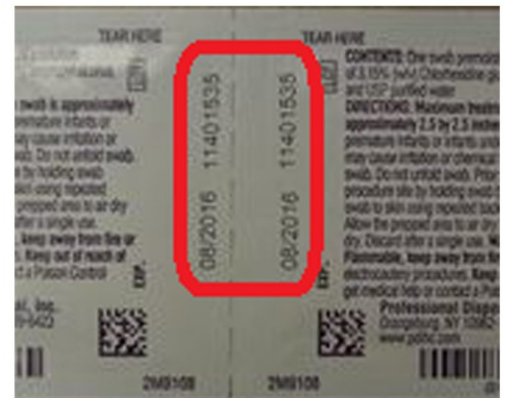


### Sample Application:

Multi-line packaging line with minimal space for installation

### Features:

- High quality shaped and anodized aluminum housing
- Patented cartridge mounting “click and print”
- Electronics located behind the cartridge
- Variable controlled by interface
- Simple layout – and parameter transfer via USB stick
- Stackability for multi-use applications
- Ideal for confined installation conditions



Performance Specifications	Pro Version
Max. print speed HP (Hewlett Packard)	90 m/min
Max. print height in mm	12.5
Max. resolution -horizontal -vertical	50 to 900 dpi 300 / 600 dpi
Max. text length	2 m
Text field	Yes
Counter	Yes
Time	Yes
Date field / -Offset	Yes
Logos	Yes
Variables	No
Action fields	Yes
1D-/2D-Code	Yes
Data transfer per USB-Stick	Yes
Ethernet	Yes
EIA232	Yes
Password	Yes
Configurable: 2 in-/ 4 outputs	Yes
Technical Specifications	
Voltage (System)	12V DC 1.25A
Voltage (Power Supply)	100 to 240 V AC
Power consumption	15 W
Dimension WxHxL in mm	26x103x232
Protection class	IP 40
Temperature range	5 to 40°C
Relative humidity (non-condensing)	10 to 90%